

Figure 1: Kitaev's phase estimation

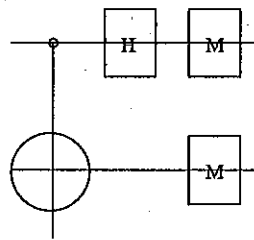


Figure 2: A sub-circuit of teleportation

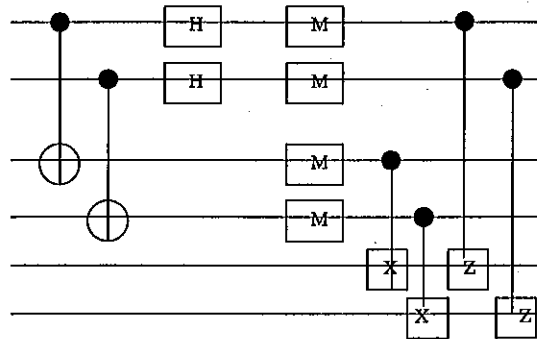


Figure 3: Teleporting a vector held in two qubits?

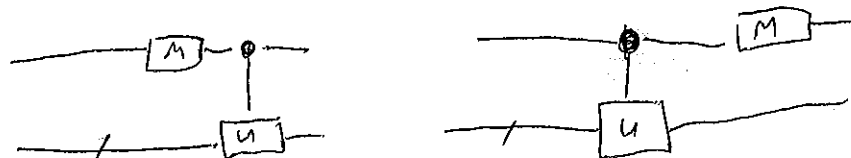


Figure 4 : Two circuits